

EMG-20 Servo Motor



FEATURES

- **Rated Torque of 1,352 oz-in**
- **Medium Inertia to Maximize Torque**
- **Peak Torque up to 300% of Rated Torque**
- **Peak Current up to 300% of Rated Current**
- **Speed of up to 3,000 RPM**
- **2,500 PPR Incremental Encoder Attached**
- **Enclosed and Self-Cooled**
- **Power Rating up to 2.0 kWatts**
- **Oil Seal and Optional Brake**
- **Long Life and Highly Reliable**
- **Neodymium-Iron-Boron Magnets (NdFeB)**
- **CE Certified**



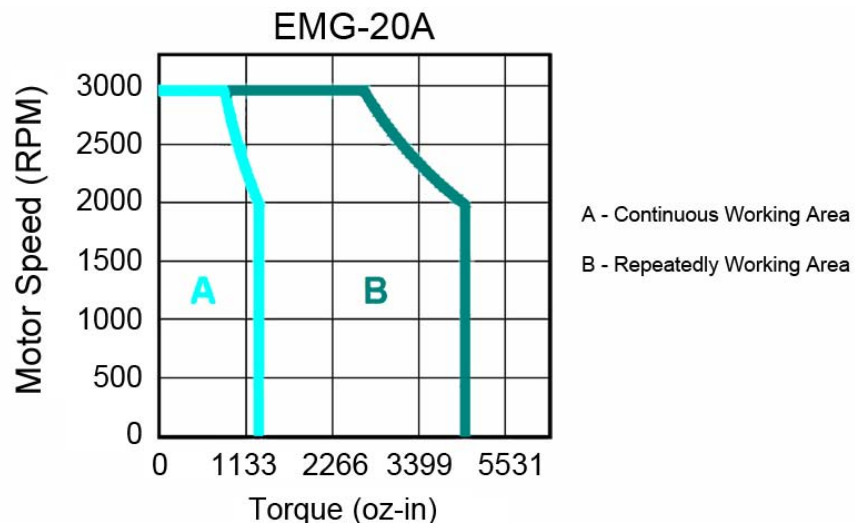
DESCRIPTION

Anaheim Automation's Digital AC Servo Motors offer a simple solution to servo applications involving speed and positioning control. The AC EMG-20 Servo Motor comes standard with a 2,500 Pulses Per Revolution (PPR) Incremental Encoder, runs at a maximum speed of 3,000 RPM, provides peak values up to 300% of the rated torque and current values, and has a rated torque of 1,352 oz-in with a 2.0 kWatt power rating. These enclosed and self-cooled motors also provide longer motor life and higher reliability. The EMG-20 AC Servo Motors enable industrial motion control applications with medium inertia to attain a great combination of speed and positioning functionality.

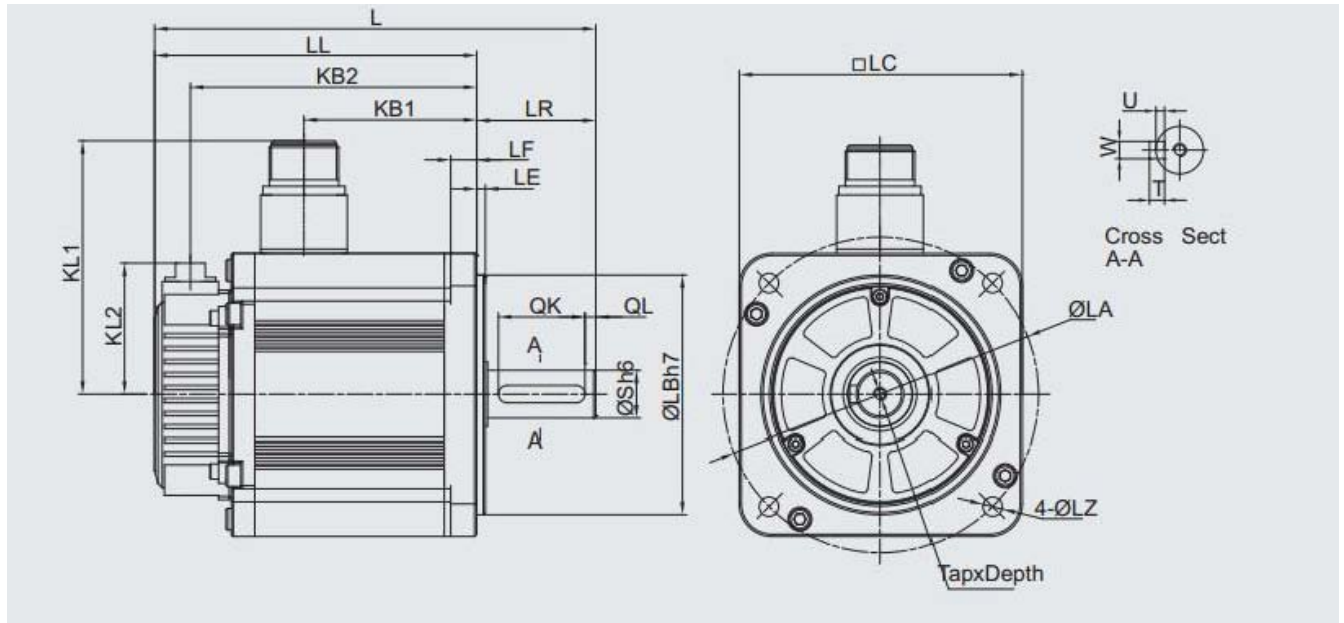
SPECS

Model #	Rated Torque (oz-in)	Rated Power (Watts)	Rated Speed (rpm)	Rated Current (A rms)	Brake (24VDC)	Inertia (oz-in-sec ²)	Electric Time Constant T _E (ms)	Back EMF Voltage K _E (V/krpm)	Torque Constant K _T (oz-in/A)	Resistance (ohms)	Weight (lbs)
EMG-20APB22	1352	2000	2000	11.3	No	0.3328	7.04	62	151.8	0.405	24.18
EMG-20APB24	1352	2000	2000	11.3	Yes	0.3484	7.04	62	151.8	0.405	31.30

TORQUE VS SPEED



L011518

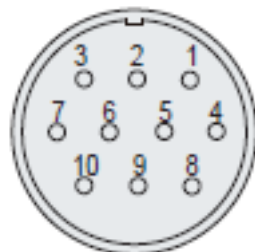


Note: All Dimensions in (mm)

MODEL #	L	LL	KB1	KB2	KL1	KL2	FLANGE SLIDE							S	Tapx-Depth	KEY				
							LR	LE	LF	LC	LA	LB	LZ			QK	QL	W	T	U
EMG-20APB22	247	192	124	175.5	117	60.5	55	4	12	130	145	110	9	22	M6x20L	40	5	8	7	4
EMG-20APB24	289.5	234	147.2	218	117	60.5	55	4	12	130	145	110	9	22	M6x20L	40	5	8	7	4

Encoder Connector Specification:

Receptacle	Plug
M-CAN-CM1002-10P	M-CAN-CM1008-10S

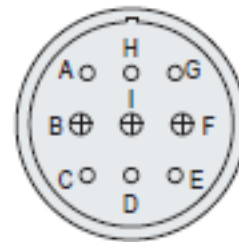


Pin No.	Signal
1	A+
2	A-
3	B+
4	B-
5	C+
6	C-
7	PG 0V
8	PG 5V
10	FG

Motor Connector Specification:

Receptacle	Plug	Cable Clamp
HMS3102E20-18P	HMS3106AE20-18S	MS3057-12A

Pin No.	Signal
A	-
B	U
C	FG
D	FG
E	-
F	W
*G	B1
*H	B2
I	V



***NOTE: There are no B1, B2 signals in motor without brake**

Power Requirement: 220VAC	Vibration: 49 m/s ²	Running Air Pressure: 86 to 106 kPa
Insulation Class: F	Ambient Temperature: 20% to 80% RH	Insulation Voltage Endurance: AC 1800C, 50Hz, 1 min
Ambient Temperature: 0°C to 40°C	Running Humidity: Not More Than 90%, Under 25°C	Insulation Impedance: Not Less Than 50M Under Normal Conditions
Running Temperature: -25°C to 40°C		

Compatible Driver:

Part Number	Description
PRONET-E-20A	Servo Driver



Compatible Cables

Part Numbers	Description
PDM-GA14-05-II	Power Cable
PMP-GA24-05-II	Encoder Cable
PDMB-GA14-05-II	Power/Brake Cable

